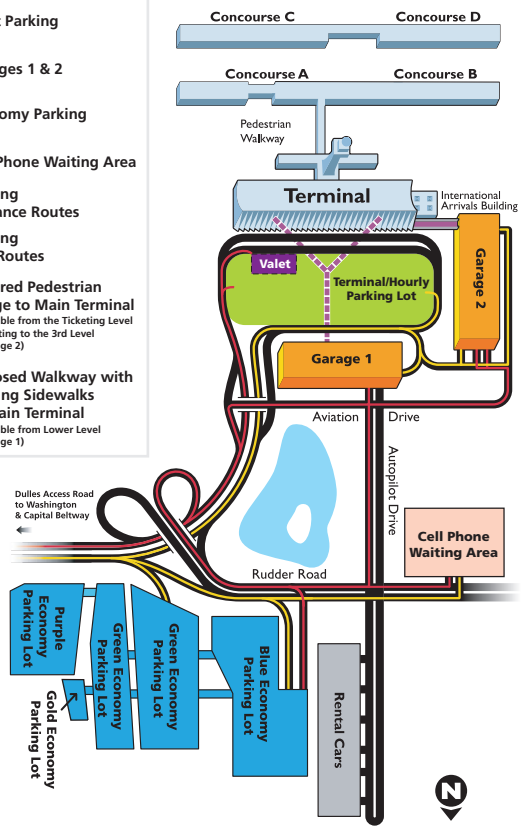
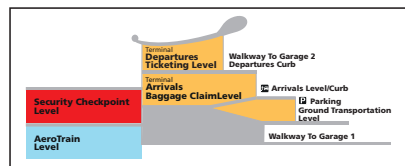


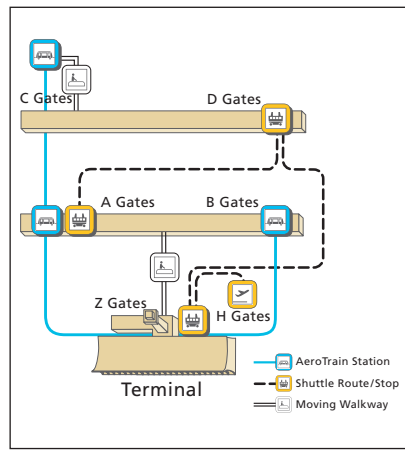
- Terminal/Hourly Parking
- Valet Parking
- Garages 1 & 2
- Economy Parking
- Cell Phone Waiting Area
- Parking Entrance Routes
- Parking Exit Routes
- Covered Pedestrian Bridge to Main Terminal (accessible from the Ticketing Level connecting to the 3rd Level of Garage 2)
- Enclosed Walkway with Moving Sidewalks to Main Terminal (accessible from Lower Level of Garage 1)



- ### AIRLINE TICKET COUNTERS
- | | |
|---|-------------------------|
| 1 | Aeroflot |
| 1 | AeroMexico |
| 1 | Aer Lingus |
| 1 | Air China |
| 2 | Air France |
| 3 | Alaska |
| 3 | ANA |
| 2 | American Airlines |
| 3 | Austrian Airlines |
| 3 | Avianca |
| 1 | British Airways |
| 2 | Brussels Airlines |
| 2 | Copa |
| 1 | Delta |
| 3 | Elite Airways |
| 2 | Emirates |
| 1 | Ethiopian |
| 1 | Etihad Airways |
| 3 | Frontier Airlines |
| 3 | Icelandair |
| 3 | JetBlue |
| 2 | KLM |
| 2 | Korean Air |
| 3 | Lufthansa |
| 3 | Porter |
| 2 | Qatar Airways |
| 2 | Saudia |
| 3 | SAS |
| 1 | Silver Airways |
| 3 | South African |
| 1 | Southwest |
| 3 | Sun Air / Pacific Wings |
| 3 | Turkish Airlines |
| 4 | United/United Express |
| 2 | US Airways/Express |
| 1 | Virgin America |
| 2 | Virgin Atlantic |



Level Indicator



AeroTrain Map (serves Main Terminal and airline gates)

ALL EMERGENCIES	911
Police/Fire/Ambulance (Non-Emergency)	703-572-2400
Police Station (Non-Emergency)	703-572-2950
Airport Information	703-572-2700



TERMINAL

DEPARTURES/TICKETING LEVEL

-
-
-
-
-
-
-
-
-
-

SECURITY CHECKPOINT LEVEL

-
-
-
-

AEROTRAIN LEVEL TO ALL GATES

-
-
-

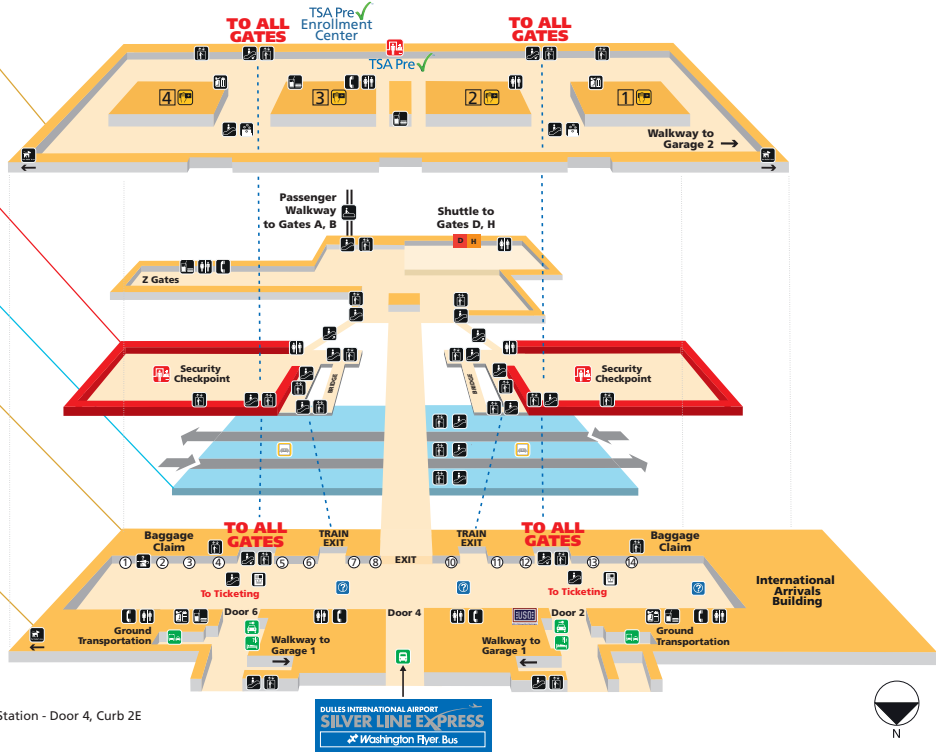
ARRIVALS/BAGGAGE CLAIM LEVEL

-
-
-
-
-
-
-
-
-
-
-
-

GROUND TRANSPORTATION LEVEL

-
-
-
-
-
-
-

Air & Space Museum Shuttle Bus - Curb 2E
 Hotel Pick Up - Door 2, Curb 2A or Door 6, Curb 2H
 Garage 1 & 2/Economy Parking Shuttles
 Metrobus Route 5A - Door 4, Curb 2E
 Washington Flyer Silver Line Express service to/from Wiehle-Reston East Metro Station - Door 4, Curb 2E
 Rental Car Shuttle - Door 4, Curb 2E



Information effective 4/15 and is subject to change without prior notice.